



SUPERBOOM

NK-550VR

FULLY HYDRAULIC TRUCK CRANE



KATO

Advanced "SUPERBOOM" •

- Max. boom length ————— 43 m
- Fly jib length ————— 9.2 m & 15 m
- Max lifting height ——— 43 m (boom)
————— 58 m (boom + fly jib)

Wide working ranges in narrows spaces •

- Max. derricking angle ————— 81°
- Fly jib with 3 offset angles ——— 5°, 25°, 45°
- Small tail slewing radius ————— 3.48 m

Wide & roomy operator's cabin •

- Operating lever system ————— ISO Type
- Safe load indicator ——— ACS COMPULOAD
with working range
limiting function

Compact body with better mobility •

- Overall length ————— 13.37 m
- Overall height ————— 3.78 m
- Min. turning radius ————— 11.00 m

New model engine •

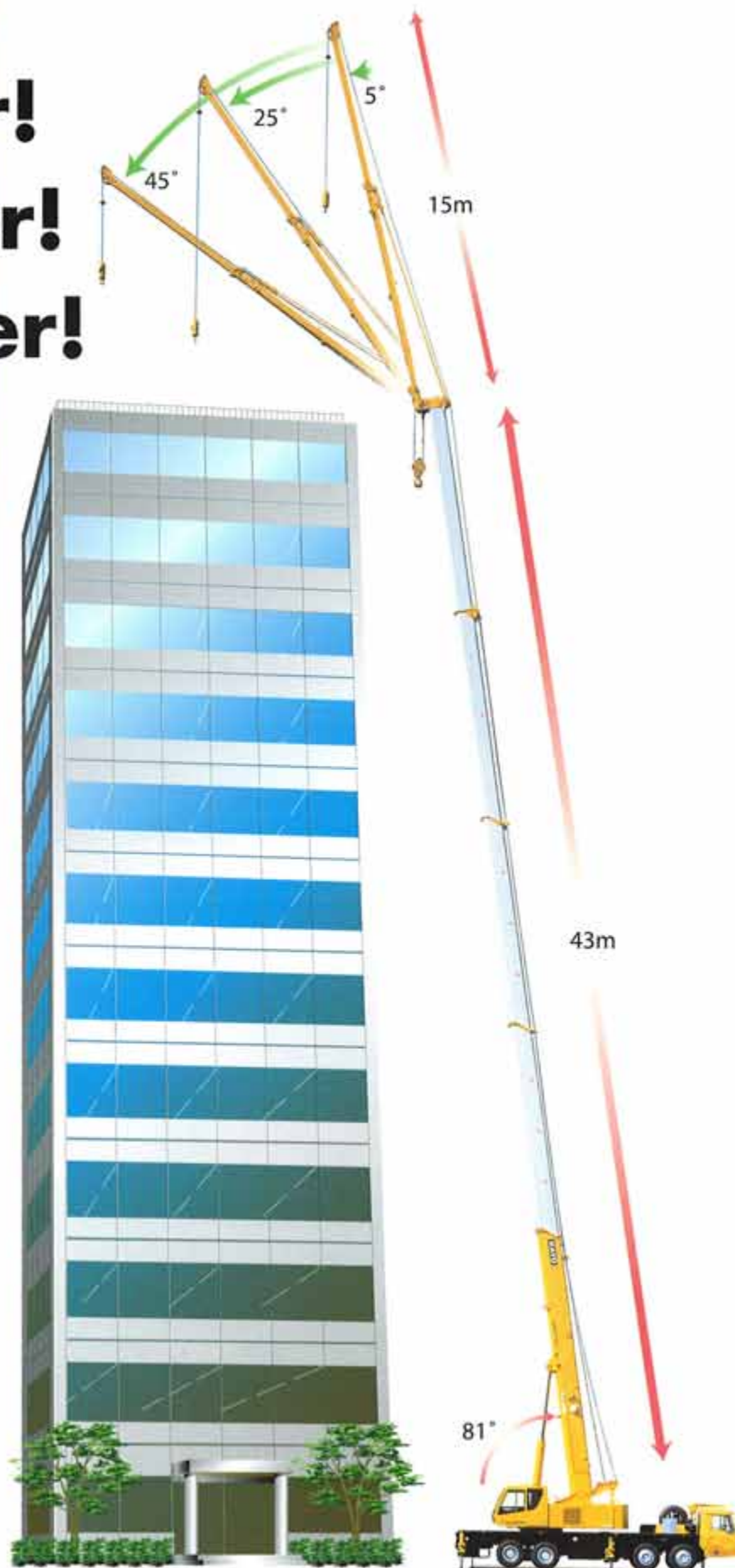
- Conformity regulation ——— Euro II Engine
- Max. output ————— 228 kw
- Max. torque ————— 1,100 Nm



**More Height and
More Working Ranges
with 43m Solid
SUPERBOOM**



**More Closer!
More Higher!
More Farther!**



Newly designed solid 43m **SUPERBOOM** combined with 15m fly jib offers you steady operation and wider working ranges in narrow spaces.

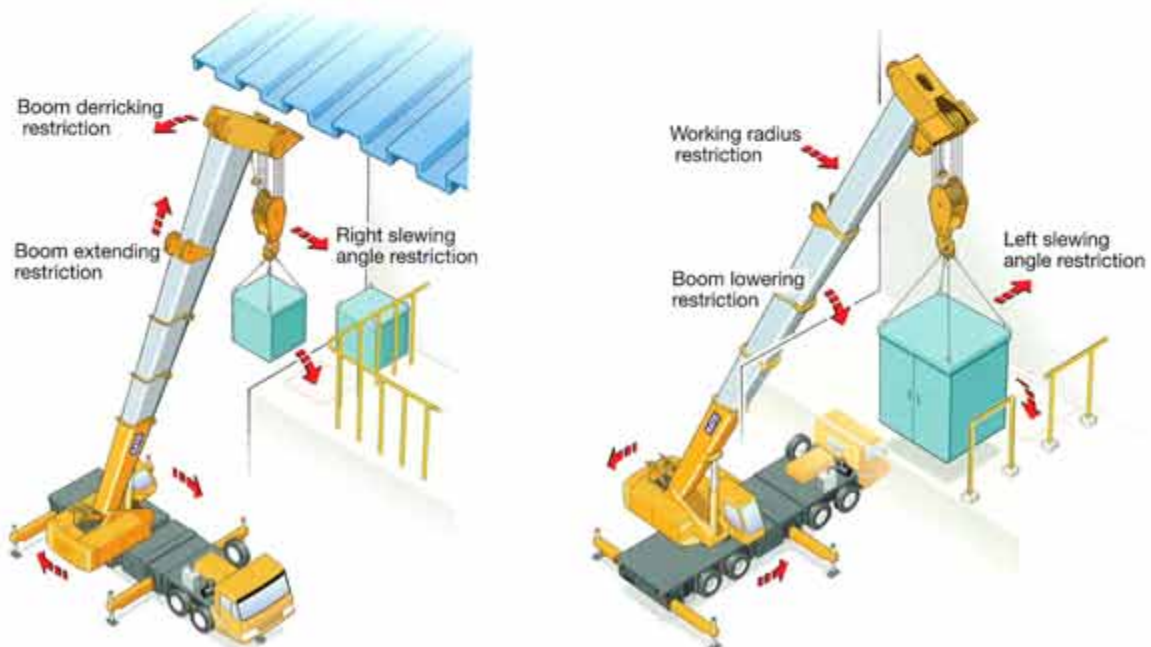
Smooth operation through Joy Stick Control



*Display for reference only.

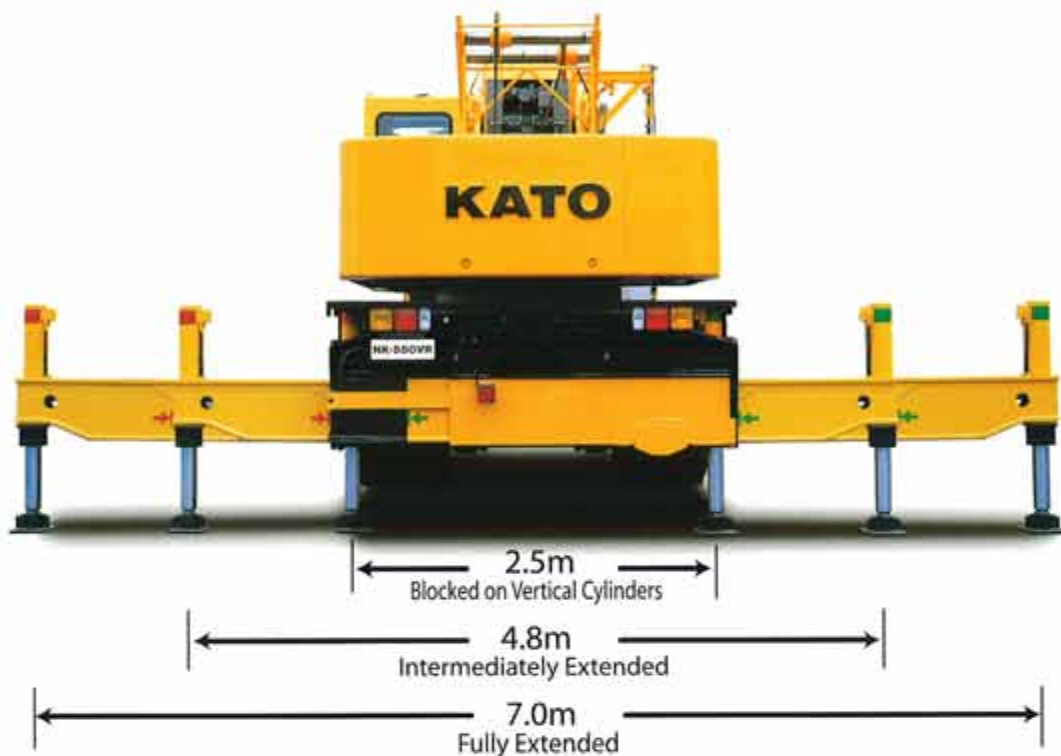
Safe load indicator "ACS COMPULOAD with working range limiting function

Working range limiting function ensures safe operation in a confined and limited job site with control of 6 factors: boom extending, boom derricking, boom lowering, working radius, left slewing angle, right slewing angle.



Slewing does not stop automatically, sound alarm only.

Three-position outrigger setting offers variations of machine-setting in the limited space



Wide & roomy operator's cab for the safe work



Safety Devices

- ACS (Automatic Crane Stopper)
- Winch hoisting limiter
- Winch drum turning indicator
- Irregular winding prevention device
- Outrigger lock device
- Joy stick control safety stop system
- Boom falling prevention device
- Winch drum lock device
- Automatic winch brake
- Hydraulic safety valve
- Slewing lock device

Standard equipment

For crane

- Front jack
- Fly jib
- Rooster sheave
- Independent two winches control system
- Irregular winding prevention device
- Winch automatic brake
- Sub hook sheave for 55t
- Hooks (40 ton, 20 ton, 4 ton)
- Hydraulic oil cooler
- Full size fender
- Large size steps
- 3 working lights
- Moment limiter with voice alarm
- Winch drum turning indicator
- Sun visor
- Cigar lighter
- Ashtray
- Cab floor mat
- Tool kit

For carrier

- Towing hooks (front and rear, eye type)
- Spare tire & wheel
- Air dryer
- Cab heater
- Radio AM FM with cassette deck
- Cigar lighter
- Ashtray
- Cab cooler

Optional equipment

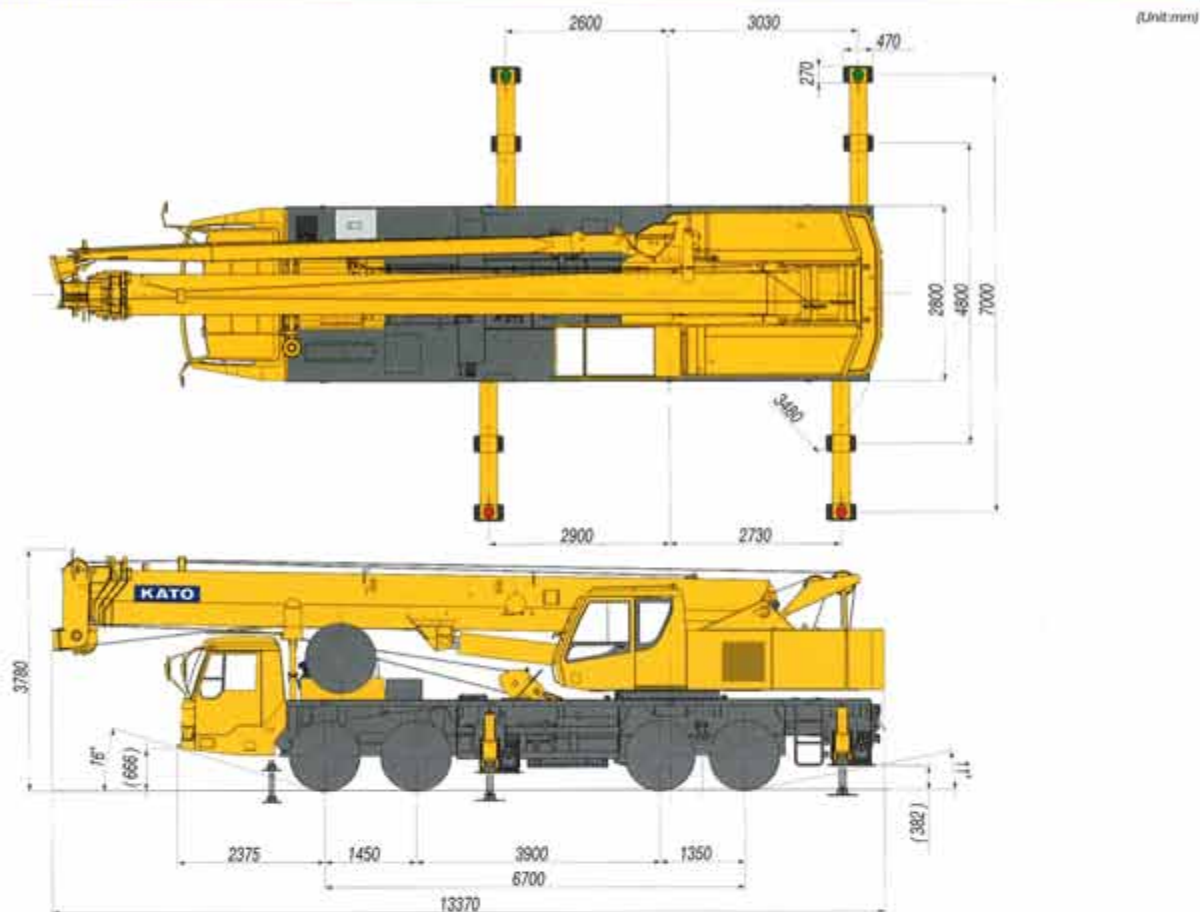
For crane

- Winch over-unwinding device
- Winch drum mirror (hoist mirror)
- Yellow rev. light
- Cab heater
- Cab cooler
- Fan
- Radio AM FM
- Fire extinguisher
- Sunshade

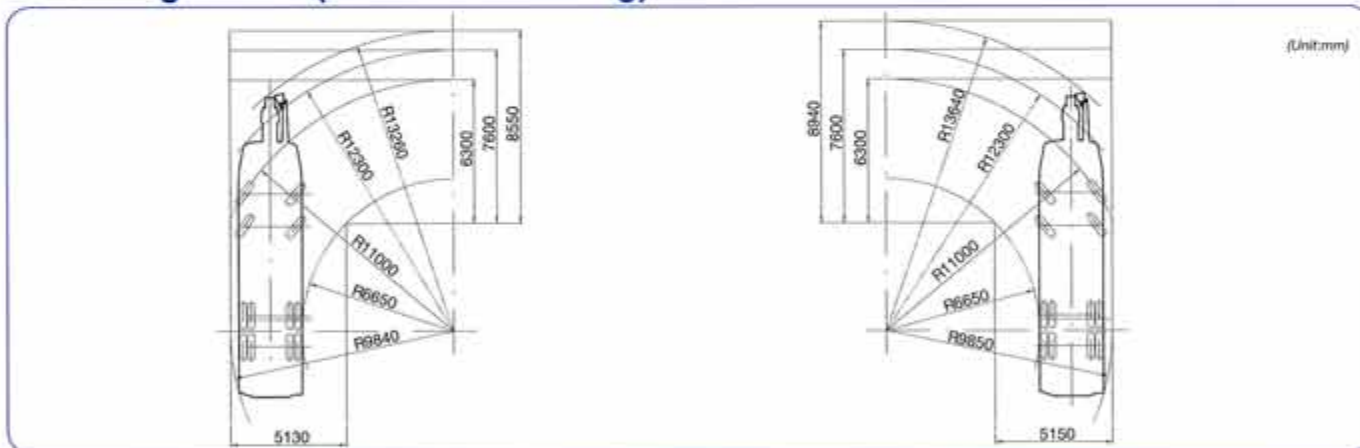
NOTE : Performance and specifications are based on the condition fitted with all standard equipment.

NK-550VR

■ Dimensions



■ Turning radius (left hand steering)



URL <http://www.kato-works.co.jp>

NOTE : Illustrations may include optional equipment. KATO products and specifications are subject to improvements and changes without notice.
 Before you use this crane, study the instruction manual thoroughly and follow the instructions it contains.
 Some differences may arise between the machine delivered and the photographs in the catalogue.
 The actual colours of the body and interior may appear slightly different from those shown in this catalogue due to the limitations of photography and printing.

Address inquiries to :



KATO KATO WORKS CO.,LTD.

9-37, Higashi-ohi 1-chome, Shinagawa-ku, Tokyo 140-0011, Japan.
 Tel. : Head Office Tokyo(03)3458-1111
 Overseas Marketing Department Tokyo(03)3458-1115
 Fax. : Tokyo(03)3458-1163